



**Innovative Circuit  
Technology Ltd.**



## **Front Access Distribution Panel Series**

**INSTRUCTION MANUAL**

855-154-000

**Model: ICT240DB-8IRC**

 **WARNING**

---

**Risk of serious personal injury or damage to equipment and property! Always observe the following:**

- Use an appropriately rated over-current protection device in line with the main battery connections to the panel
- Use an appropriately rated disconnect switch or circuit breaker in line with the dc inputs to enable installation and service of the panel with the dc source disconnected
- Shut off or disconnect all dc power sources before connecting or disconnecting wiring
- Use wire and connectors rated for the maximum load current and size of fuse or circuit breaker, and keep cable lengths as short as practical
- Carefully observe wiring polarity when making input and output connections
- Securely tighten all connections
- Do not attempt to service any internal parts. Refer all product service to an authorized ICT Ltd. service facility

 **CAUTION**

---

**Risk of personal injury or damage to equipment! Always observe the following:**

- Install unit in a restricted access location (such as an equipment rack) to limit unintentional contact with terminals and wiring
- Ensure the total power consumption of the loads does not exceed the 100A (continuous) rated capacity of each power bus
- Ensure load current through each output channel does not exceed 30A max, 25A continuous
- Do not block air inlet or outlet openings in the panel sides and back

Rev 1.4  
2018

Copyright © 2018 Innovative Circuit Technology Ltd. All rights reserved. No part of this publication may be reproduced, stored in a retrieval system or transmitted in any form or by any means, electronic, mechanical, photocopying, recording or otherwise, without the prior written consent of Innovative Circuit Technology Ltd.

# Contents

<b>Product Description .....</b>	<b>4</b>
<b>Installation .....</b>	<b>5</b>
<b>OPERATION.....</b>	<b>9</b>
Status Indicators and Alarms .....	9
<b>TCP/IP Web Based Interface.....</b>	<b>10</b>
Status and Control .....	11
Device Setup.....	12
Bus Setup .....	15
Output Setup.....	16
Network setup.....	18
E-mail Setup.....	21
Alarm setup .....	22
User Setup.....	23
Maintenance.....	24
<b>Mobile Web Interface.....</b>	<b>25</b>
<b>Password Reset .....</b>	<b>26</b>
<b>Router Configuration.....</b>	<b>27</b>
<b>Text Message Alarm Notifications.....</b>	<b>29</b>
<b>Troubleshooting.....</b>	<b>29</b>
<b>Product Specifications.....</b>	<b>31</b>
<b>Limited Warranty.....</b>	<b>33</b>

## Product Description

The ICT Front Access Dual Bus Distribution Panel provides two 100A (continuous) bus inputs with four independently controlled and monitored output channels per bus in a compact 1U high chassis for 19 inch rack mounting. All connections are located on the front panel for simple installation in tight cabinets, and over current protection and manual on/off control for each output is provided by 65VDC user insertable magnetic-hydraulic circuit breakers.

Each bus can accommodate a wide supply voltage from 10VDC to 60VDC, either positive or negative polarity, with a peak input current of 120A to be distributed at up to 30A peak on each of the 4 output channels. Each channel has independent current sensing, over current protection, alarms, and output on/off control.

Remote monitoring and control is available through the integrated security protected Ethernet communications port on the front panel. The unit has a built-in web server with an embedded web-based graphical user interface (GUI) that can be accessed using any standard commercial web browser, such as Internet Explorer or Google Chrome. The web server displays all panel information, allows full access to channel configuration settings, provides remote channel on/off control, and can be set up to send an alarm to user-defined email accounts in the event a fault occurs. The web server can also be used to configure and download a data log of up to 30 days of time stamped event information. Full monitoring and control is also available using an SNMP (v3) based management system for larger installations.

Form-C alarm output contacts (C/NO/NC) are provided for each bus to indicate all distribution panel alarms, while 4 additional alarm inputs can be used to monitor other dry-contact site sensors such as door/window opening, smoke alarms, and water detectors etc. An optional remote temperature sensor (ICT-TMP) can also be connected for remote monitoring of a battery pack or another important temperature.

Model Numbers: (covered in this manual)

**ICT240DB-8IRC** Intelligent Dual 120A Bus Distribution Panel for +/-12, 24 or 48VDC Systems

## Installation

Inspect your distribution panel to ensure it was not damaged in shipping, and has all accessories:

- 2 clear snap on covers to insulate main dc power connections (shipped on unit)
- 4 clear snap on covers for the 4 position output terminal blocks (shipped on unit)
- 2 seven pin alarm output, remote sensor input connector plugs (shipped on unit)
- Circuit Breaker label sheet (apply output number label below each breaker rocker once breakers installed)
- This Instruction Manual

To complete the installation you will also need to order circuit breakers appropriately sized for your requirements, and blanking plugs for any un-used positions. Order these separately from ICT per the following list:

Breakers:

ICT Model	Rating (65VDC)	Mfg. Part Number
ICT-CB5	5A	Carling MA1-B-14-450-1-A26-2-J
ICT-CB15	15A	Carling MA1-B-14-615-1-A26-2-J
ICT-CB25	25A	Carling MA1-B-14-625-1-A26-2-J
ICT-BLP	Blanking Plug	

CBI "B" series rocker handle circuit breakers with 0.25" tab terminals and current ratings up to 25A may also be used, consult ICT for suitable part numbers.

## CAUTION

**Risk of personal injury or damage to equipment! Always observe the following:**

- Install unit in a restricted access location (such as an equipment rack) to limit unintentional contact with terminals and wiring
- Ensure the total power consumption of the loads does not exceed the 100A (continuous) rated capacity of each power bus
- Channel output breakers must not exceed 30A max rating
- Install only 65VDC rated breakers
- Do not block air inlet or outlet openings in the panel sides and back

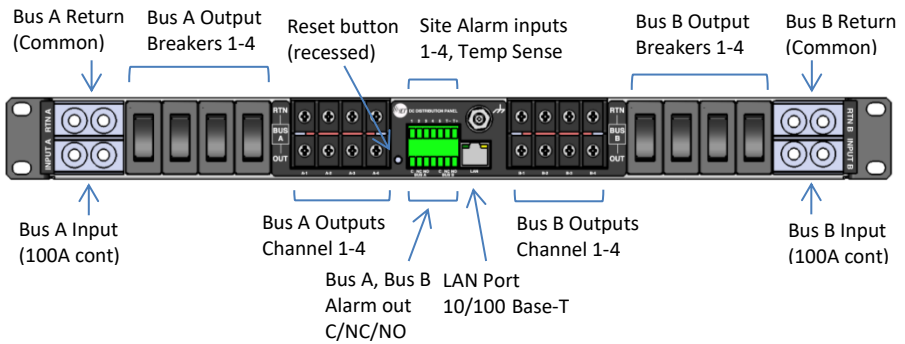


Figure 1: Front Panel Connections

Mount the Front Access Distribution Panel in a 19 inch equipment rack, using standard rack mounting hardware. (Not provided)

Install appropriately rated circuit breakers in desired channel locations by carefully inserting a breaker so that its mounting tabs securely snap into the front panel (with “I/on” marking up). Install the breaker blanking plugs in any unused locations. Breakers are not removable once inserted.

Label the output channel number of each breaker by applying one of the supplied labels (A1 to A4, B1 to B4) below each breaker rocker.

**⚠ WARNING**

**Risk of serious personal injury or damage to equipment and property! Always observe the following:**

- Use an appropriately rated over-current protection device in line with the main battery connections to the panel
- Use an appropriately rated disconnect switch or circuit breaker in line with the dc inputs to enable installation and service of the panel with the dc source disconnected
- Shut off or disconnect all dc power sources before connecting or disconnecting wiring
- Use wire and connectors rated for the maximum load current and size of fuse or circuit breaker, and keep cable lengths as short as practical
- Carefully observe wiring polarity when making input and output connections
- Securely tighten all connections

Bond the panel chassis to the rack system ground, connecting a ground wire with ring tongue to the front panel ground stud. (1/4-20 thread)

Connect Bus A loads to output channels A1 to A4 using suitably rated wire sized for the breaker installed on the channel, with crimped on spade lug terminals compatible with the output terminal block screws. Note which load is connected to each channel, for future reference.

Repeat for the Bus B loads if required. The unit may be operated with either Bus A or Bus B powered, or both.

## NOTE!

---

All channel RTN lines, and the main high power Bus A and Bus B RTN terminals are common, and tied to a single internal Return bus. Bus A and Bus B inputs can be wired to a different dc voltage (10 to 60Vdc) of either polarity, but must share a common RTN voltage, normally at earth potential.

---

Connect the main Bus A RTN line to the external battery or power supply return using suitably sized wire and dual hole lug connector rated for up to 100A continuous current. Connect the lug to the dual ¼-20 thread **Bus A Rtn** studs, and then securely fasten with the supplied hardware.

Connect the Bus A Input through a suitably rated disconnect switch (**set in the open position**) with a fuse or circuit breaker rated for 100A max continuous operation to the external battery or power supply output, using suitably sized wire and a dual-hole Lug connector rated for 100A continuous current. Connect the Input lug to the dual ¼-20 thread **Bus A Input** studs, then securely fasten with the supplied hardware. Snap the clear cover on to the Bus A input connector to help prevent accidental contact with the input stud connections.

Repeat input wiring for the Bus B input, its power source and over current protection device, if the Bus B outputs are to be used. **Bus A and Bus B Input and output Return lines are internally connected together, so will share a common ground.** The Bus A and Bus B Input terminals are isolated, and support operation from separate + or – 10 to 60V power sources, as long as they share a common Return potential.

Connect the two form-C relay bus alarm outputs to an external monitoring system if needed, by stripping and terminating 16-28AWG alarm wiring in the Alarm 7-pin connector plug (lower), and installing in the front panel. Each Bus Alarm output will trigger for any breaker open, or other alarm related to any channel on that bus (Factory Default). Most alarm conditions can be masked off so that they will not trigger the Alarm output if required, using the web based graphical interface.

**Bus Alarm Connector: (Lower connector plug)**

Pin (L-R)	Alarm Function
1	Bus A - Alarm Output common (0.5A 65Vdc max)
2	Bus A - Alarm Output normally closed for alarm condition (NC)
3	Bus A - Alarm Output normally open for alarm condition (NO)
4	No connection
5	Bus B - Alarm Output common (0.5A 65Vdc max)
6	Bus B - Alarm Output normally closed for alarm condition (NC)
7	Bus B - Alarm Output normally open for alarm condition (NO)

Connect up to 4 dry contact type site sensors (such as door/window sensors, smoke alarm, water detectors etc.) by stripping and terminating 16-28AWG alarm wiring and connecting to the four Site Alarm Inputs on the 7 pin removable Site Monitor Plug (upper), if desired. These inputs may be configured to activate the panel Alarm outputs, or send an alarm e-mail on network connected units. The external sensor contacts must be voltage free; as a small sense current is supplied from the panel Alarm Input pins to detect the external contact open or closed state. Refer to the **Web Based Interface** section for information on how to configure and use the four Site Alarm inputs.

Connect an optional ICT external temperature sensor (ICT-TMP) to the two TMP inputs if you need to remotely monitor the temperature of a battery pack or enclosure.

**Site Monitor Inputs: (Upper connector plug)**

Pin (L-R)	Site Monitor Input Function
1	Contact Input 1
2	Contact Input 2
3	Contact Input 3
4	Contact Input 4
5	Monitor Return (common for 4 monitor inputs)
6	Remote Temperature Sense
7	Remote Temperature Sense



Connect a standard 10/100 Base-T Ethernet cable to the RJ-45 LAN port on the front panel to remotely monitor, control and reconfigure the panel settings from a remote computer.

## OPERATION

Ensure the correct circuit breakers are installed in each channel location that will be used to power a load.

Energise each bus by closing the main external breaker or disconnect device on the bus input lines. Switch on the front panel channel breakers for all connected outputs, and check that the internal channel relays have closed by verifying that the connected loads are energised. (Note that all output channels on a bus will be disabled and network communication will be dropped if the bus voltage drops below approximately 6V for more than 3s. Normal operation will be restored once the bus voltage is above 8V)

Switch off any unused internal channel relays to reduce the power consumed by the panel, using a networked computer and Web Browser. See the **TCP/IP Web Based Utility** section, **Output On/Off Buttons**. (Each channel relay consumes approximately 2W when closed; the factory default setting is for all outputs to be on)

## Status Indicators and Alarms

The Form-C Bus Alarm contacts are used to indicate an alarm condition.

Alarm	Trigger Condition	Channel Output	Bus Alarm Contact
Breaker Off	Breaker opens or is removed	Off	On
Bus Under-voltage	Bus V drops below UV threshold	No change <sup>1</sup>	On
Bus Over-voltage	Bus V rises above the OV threshold	No change	On
Bus Over-current	Bus current exceeds the OC threshold (default 100A)	No change	On
Output Over-current	Channel output current exceeds OC threshold	Off <sup>2</sup>	On
No power to Unit	Loss of bus input power source	Off	On

<sup>1</sup> All channel relays will be open if Bus Voltage is <6V, and recover for Bus Voltage >8V

<sup>2</sup> The channel may be user configured to disable the output for an Over-current Alarm

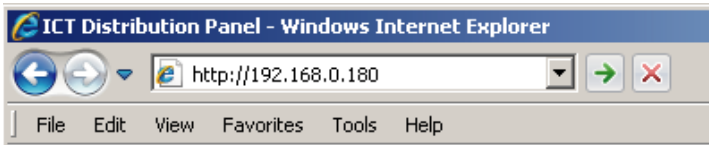
Alarm	Trigger Condition	Channel Output	Bus Alarm Contact
Site Alarm Input	Alarm contact on input 1 to 4	No change	On <sup>3</sup>
Remote Temp Alarm	Adjustable over or under temperature threshold hit	No change	On <sup>3</sup>

The unit may also be configured to send an alarm e-mail to multiple user set e-mail addresses for any of the alarm conditions, by enabling the e-mail function on each alarm setup page on the web based interface. (no e-mail will be sent when power is disconnected from the unit, due to loss of network control)

### TCP/IP Web Based Interface

These panels are equipped with a built in web server and Graphical User Interface (GUI) to enable full remote monitoring and control using any standard web browser, such as Microsoft Explorer, Google Chrome, or Mozilla Firefox. To connect with your networked panel, do the following:

1. Start Your Browser.
2. Enter the IP address of the panel in the address field of your browser as shown.

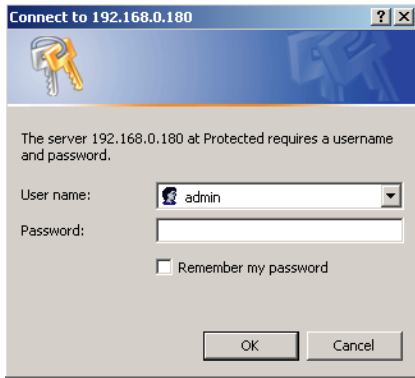


Typically your panel will be connected to a network with a DHCP server, and will be assigned an IP address automatically. To find the current address of your panel run the **ICT IP Address Discovery tool**, after installing it on your Windows computer (tool available for download from ICT <http://www.ictcorporate.com/resources/tools/> ) otherwise the panel will use the factory default IP address of **192.168.0.180**, as shown above.

3. Enter your user name and password. The default Administrator user name is **admin**, with no password.

---

<sup>3</sup> Use the web interface to configure each alarm input to trigger either Bus A, B or both alarm contacts



Once your browser is connected to the unit, the Status and Control page for the panel will be displayed, as shown. See the following section for descriptions on how to use the various monitoring, configuration, and control features available through the panel’s graphical web interface.



The Power of Reliability

**ICT Dual Bus Panel**  
 ICT250S-8BRC Distribution Panel  
 IP Address: 192.168.0.23  
 Firmware: v3.00-4

- Status & Control
- Device Setup
- Bus Setup
- Output Setup
- Network Setup
- E-mail Setup
- Alarm Setup
- User Setup
- Maintenance
- Help

### ICT250S-8BRC Distribution Panel Status & Control

Remote Temperature: 25°C

<b>Bus A:</b> Voltage: 11.3VDC Current: 87.1A Form C Alarm: Inactive <div style="display: flex; justify-content: space-around;"> <span>Enable Bus</span> <span>Disable Bus</span> </div>	<b>Bus B:</b> Voltage: 11.3VDC Current: 87.0A Form C Alarm: Inactive <div style="display: flex; justify-content: space-around;"> <span>Enable Bus</span> <span>Disable Bus</span> </div>
<b>Output 1A:</b> Current: 21.7A Status: <span style="background-color: green; color: white; padding: 2px;">Enabled</span> <span>Off</span>	<b>Output 1B:</b> Current: 21.8A Status: <span style="background-color: green; color: white; padding: 2px;">Enabled</span> <span>Off</span>
<b>Output 2A:</b> Current: 22.0A Status: <span style="background-color: green; color: white; padding: 2px;">Enabled</span> <span>Off</span>	<b>Output 2B:</b> Current: 22.4A Status: <span style="background-color: green; color: white; padding: 2px;">Enabled</span> <span>Off</span>
<b>Output 3A:</b> Current: 22.5A Status: <span style="background-color: green; color: white; padding: 2px;">Enabled</span> <span>Off</span>	<b>Output 3B:</b> Current: 21.4A Status: <span style="background-color: green; color: white; padding: 2px;">Enabled</span> <span>Off</span>
<b>Output 4A:</b> Current: 20.9A Status: <span style="background-color: green; color: white; padding: 2px;">Enabled</span> <span>Off</span>	<b>Output 4B:</b> Current: 21.5A Status: <span style="background-color: green; color: white; padding: 2px;">Enabled</span> <span>Off</span>

Copyright © 2016 Innovative Circuit Technology Ltd.

Click on any one of the blue buttons in the menu bar on the left side of the screen to select the desired page.

To log out of the ICT panel GUI close your browser session.

## Status and Control

This page provides information on the voltage, current, and alarm status for each bus, along with the status of each channel output and the current being provided

to each load. Each bus, or an individual output may be manually enabled or disabled by using the on screen buttons.

The status of any of the four Input Alarms that have been enabled (see **Alarm Setup** page) will be shown in the Alarm Input box. A grey Alarm Input indicator box shows that the sensor input is ready; a red box indicates that that external sensor is in an alarm condition.

The **Remote Temperature** (in °C) of the optional ICT-TMP probe will be shown in the top right corner, if a probe is installed.

**Enable Bus Button:** This button will close the four channel relays on that bus, applying power to the external loads. The outputs will be enabled in a timed sequence if the **power-on sequencing** is enabled on the **Device Setup** page.

**Disable Bus Button:** This button will open the four channel relays on that bus, cutting power to the loads.

**Output On/Off Buttons:** Each button will toggle the internal relay for that channel, enabling or disabling the power to the load on that output. The status of each output channel is shown with a red (Disabled) or green (Enabled) bar next to the ON/OFF button, along with an ammeter indicating the current through that channel.

## Device Setup

Use this page to configure the panel settings. Click on the **Save Settings** button when finished to save and implement all new changes.

### Device Info

**Site Name:** Enter a custom descriptive name for the panel

**Model:** Displays the ICT model number for the panel

**Hardware:** Displays the hardware version of the panel

### Date and Time Settings

**Current System Time:** Displays the date and time used in the panel's internal clock for time stamping data entries in the data logs. This clock may be set manually, or synchronized with a remote NTP Time Server over the Internet (recommended).

**Synchronize with NTP Server:** Check this box to select automatic time synchronization with the external server (recommended).

**NTP Server:** Enter the name or IP address of the NTP Server used for date and time synchronization, such as *"pool.ntp.org"*.

**Time Zone:** Select the appropriate time zone relative to GMT for your unit so that the NTP server time can be converted to your local time zone. (e.g.: Pacific Standard Time is GMT-8)

**Set Time Manually:** Checking this box will allow the unit's clock and calendar to be set manually by entering date and time in MM/DD/YY and HH:MM:SS format.



The Power of Reliability

ICT Dual Bus Panel  
 ICT2505-SBRC Distribution Panel  
 IP Address: 192.168.0.23  
 Firmware: v3.00.4

Status & Control	<b>Device Setup</b>
Device Setup	
Bus Setup	
Output Setup	
Network Setup	
E-mail Setup	
Alarm Setup	
User Setup	
Maintenance	
Help	

**Device Info**

Site Name:   
 Model:   
 Hardware:

**Date and Time Settings**

Current System Time:   
 Synchronize with NTP Server:   
 NTP Server:   
 Time Zone:   
 Set Time Manually:   
 Date (MM/DD/YY):  /  /   
 Time (HH:MM:SS):  :  :

**Power-On Sequencing/Cycling**

Sequence/Cycle Delay:  second(s)  
 Reverse Sequence Order:

**Network Watchdog**

Watchdog Enabled:   
 Primary IP Address:   
 Secondary IP Address:   
 Watchdog Timeout:  minute(s)

When the Network Watchdog times out, all Outputs with the 'Enable Power Cycling' option enabled will be cycled.

**Data Logging**

Data Logging:

## Power-On Sequencing/Cycling

**Sequence/Cycle Delay:** Entering a time delay in this field (0-60s) will cause the outputs on each bus to be enabled in sequence (1 to 4) with the set delay time between each step, when the **Enable Bus** button for that bus is pressed on the **Status and Control** page. This helps reduce the turn-on surge that can occur when all connected loads are energized simultaneously. Setting this time to 0 or leaving the box blank will cause all outputs to always be enabled simultaneously. (Factory default)

Note the **Sequence Delay** time will also be used as the **Power Cycling** time delay for each output that has the **Power Cycling** feature enabled on the **Output Setup** page.

**Reverse Sequence Order:** Checking this box will cause the power on sequence to run in reverse order with output channel 4 on first, ending with output 1, when the **Enable Bus** button is clicked on the **Status and Control** page.

### **Network Watchdog:**

**Watchdog Enabled:** Checking this box will enable the watchdog feature, which will cause the unit to periodically ping up to two remote IP addresses to verify the network connection status. If there is no response from either address the unit will cycle the power on all outputs that have the **Power Cycling** option enabled on the **Output Setup** page. This feature is useful for re-booting a modem or other network device that is powered by one of the distribution panel outputs, to help recover the network IP connection when one of these devices has locked up. At least one channel must have the **Power Cycle** option enabled, and a delay time entered in the **Sequence/Cycle Delay** field for this function to work. Power for a cycled channel will be held in the off state for the duration set by the **Sequence/Cycle** delay time, then will be turned back on.

**Primary IP Address:** Enter the remote IP address you would like the panel to monitor. If left blank the unit will monitor the Gateway IP address listed in the Network Setup page.

**Secondary IP Address:** Enter an optional second IP address that the unit can monitor to verify network status. The Network Watchdog will only trigger if both the Primary and Secondary IP addresses fail to respond.

**Watchdog Timeout:** Enter the time (1 to 80 minutes) for which the remote IP address must stop responding to ping requests from the panel, before the Network Watchdog will trigger an output power cycle. Ensure this time is greater than the normal start-up time for the network hardware to prevent nuisance power cycle events at system start up.

### **Data Logging:**

**Data Logging rate:** Enable this feature by selecting the sample rate. The data logger will record the bus voltage, bus current, channel output currents, breaker status, and alarm inputs at a rate of up to 1 sample per minute. View this Comma Separated Values (CSV) format log by clicking the **Download Log** button, and open in any Spreadsheet software, such as Microsoft Excel. The log will store up to 30days of data, with the oldest entries at the top of the file, newest at the bottom.

**Log Start Date:** Shows the date/time the most recent log began.

**Clear Log Now:** Checking this box will cause the current log file to be cleared, and a new logging sequence to begin.

## Bus Setup

Use this page to configure each bus. Select Bus A, or Bus B in the **Select a Bus to Edit** box to call up the settings for that bus. Click on the **Save Settings** button at the bottom of the page to save any changes you make.

### Bus A/B Settings:

**Bus Name:** Enter a descriptive name for the selected bus if desired

### Bus A/B Under Voltage Alarm:

**Under-Voltage Threshold:** Enter the bus under voltage value. Bus voltage dropping below this level will trigger a Bus Under-Voltage alarm.

**Under-Voltage Recovery:** Enter the bus voltage required to reset the alarm. Bus voltage rising above this level will clear the alarm.

**Activate Form-C Contact:** Checking this box will cause the Alarm relay to trigger for an under voltage condition. (default)

**Send E-mail:** Checking this box will cause the unit to send a Bus Under-Voltage alarm e-mail to the assigned address entered on the **E-mail Setup** page.

### Bus A/B Over Voltage Alarm:

**Over-Voltage Threshold:** Enter the bus over-voltage value. Bus voltage rising above this level will trigger a Bus Over Voltage alarm.

**Activate Form-C Contact:** Checking this box will cause the Alarm relay to trigger for an over voltage condition. (default)

**Send E-mail:** Checking this box will cause the unit to send a Bus Over-Voltage alarm e-mail to the assigned address entered on the **E-mail Setup** page.

### Bus A/B Over-Current Alarm:

**Over-Current Threshold:** Enter the maximum total current level for the bus. Current exceeding this level will trigger the Over-Current alarm.

**Activate Form-C Contact:** Checking this box will cause the Alarm relay to trigger for an over-current condition. (default)

**Send E-mail:** Checking this box will cause the unit to send a Bus Over-Current alarm e-mail to the assigned address entered on the **E-mail Setup** page

## Output Setup

Use this page to configure the settings for each output channel on Bus A and Bus B. Select the output to be edited in the **Select an Output to Edit** box. Make any required changes, and then click on the **Save Settings** button at the bottom of the page to save any edits. Click on the **Copy Settings to All** button, to copy the settings of the selected output to all other outputs on both buses.

### Output Settings:

**Output Label:** Enter a descriptive label for the selected output channel if desired.

**Output State After Panel Reset:** Sets the state for the output after an input power failure, or soft reset of the panel. Select one of the following:

- **Restore last State:** Will return the output contactor to the state prior to the reset event (default)
- **Enable Output:** Will enable the output contactor, regardless of its previous state
- **Disable Output:** Will disable the output contactor, regardless of its previous state

**Ignore Circuit Breaker Status:** Will mask the circuit breaker open circuit detection, to prevent false alarms on unused channels.

**Enable Power Cycling:** Check this box to enable output power cycling for the selected output, so that the output will automatically be re-enabled after the **Sequence/Cycle Delay** time whenever the output is disabled using the **Output Off** button on the **Status and Control** page, or when the **Network Watchdog** is triggered. This feature is useful for remotely resetting power to hardware required for the network connectivity of the panel.

The **Sequence/Cycle Delay** time must be set on the **Device Setup** page with duration long enough for the connected network hardware to fully reset for this function to be effective. Multiple outputs that are disabled using Power Cycling will be re-enabled in sequence.



- Status & Control
- Device Setup
- Bus Setup
- Output Setup
- Network Setup
- E-mail Setup
- Alarm Setup
- User Setup
- Maintenance
- Help

## Output Setup

Select an Output to edit (Click "Save Settings" when finished)

- | Bus A                                | Bus B                     |
|--------------------------------------|---------------------------|
| <input checked="" type="radio"/> 1A: | <input type="radio"/> 1B: |
| <input type="radio"/> 2A:            | <input type="radio"/> 2B: |
| <input type="radio"/> 3A:            | <input type="radio"/> 3B: |
| <input type="radio"/> 4A:            | <input type="radio"/> 4B: |

### Output '1A' Settings

- Output Label:
- Output State after Panel Reset:
- Ignore Circuit Breaker Status:
- Enable Power Cycling:

If Power Cycling is enabled, "Sequence/Cycle Delay" must be set on the Device Setup page.

### Output '1A' Load-Shedding

- Enable Load-Shedding:
- Load-Shedding Threshold:  VDC
- Load-Shedding Auto Recovery:
- Auto Recovery Threshold:  VDC

If enabled, Load-Shedding will disable this output if the system voltage drops below the threshold for at least 30 seconds.

### Output '1A' Over-Current Alarm

- Over-Current Threshold:  A
- When an Over-Current condition occurs on this Output,
- Activate Alarm Form C Contact:
- Send E-mail:
- Disable this Output:

This alarm will have no effect if the threshold is set to 0 Amperes.

### Output '1A' Under-Current Alarm

- Under-Current Threshold:  A
- When an Under-Current condition occurs on this Output,
- Activate Alarm Form C Contact:
- Send E-mail:

This alarm will have no effect if the threshold is set to 0 Amperes.

## Output Load Shedding:

**Enable Load Shedding:** Check this box to disable this output when the bus voltage drops below the load-shedding threshold for at least 30s. This feature can be used to disconnect less critical loads to preserve back-up battery power as the battery voltage drops.

**Load-Shedding Threshold:** Enter the voltage level at which the selected output will be disconnected.

**Load-Shedding Auto Recovery:** Check this box to allow the output to be automatically reconnected when the bus voltage is above the **Auto Recovery Threshold** for at least 60s. The output must be manually re-enabled using the **Output ON** button on the Status and Control page if the **Auto Recovery** function is not enabled.

**Auto Recovery Threshold:** Enter the voltage level at which the selected output will automatically be reconnected. This value must be at least 0.5V above the **Load-Shedding Threshold** voltage.

**Output Over(Under)-Current Alarm:**

**Over-Current Threshold:** Enter the over-current level. Output current above this level for at least 5s will trigger the Over-Current Alarm, and disable the output (if feature enabled). Disable this alarm by setting the threshold to 0A.

**Under-Current Threshold:** Enter the under-current level. Output current below this level for at least 5s will trigger the Under-Current Alarm. Disable this alarm by setting the threshold to 0A.

**Activate Form-C Contact:** Checking this box will cause the Alarm relay to trigger for an over(under)-current condition.

**Send E-mail:** Checking this box will cause the unit to send an output Current alarm e-mail to the assigned address entered on the **E-mail Setup** page.

**Disable This Output:** Check this box to automatically disable the output for an Over-Current condition on the selected output. This function may be used as an electronic circuit breaker which can then be remotely reset by clicking the **Output ON** button on the Status and Control page.

## Network setup

Use this page to configure the network settings for the panel. Click on the Save Settings button at the bottom of the page to save any changes and re-boot the panel.

**NOTE:**

---

**Saving any changes to the network settings will cause the panel to re-boot, cycling power to all outputs.**

---

**Network:**

**MAC Address:** Displays the MAC address assigned to the panel

**Enable DHCP:** Turn on this setting if your network uses a DHCP server to automatically assign IP addresses. (Enabled as default setting). To manually

assign a static IP address to the unit uncheck this box, then set the following parameters:

**IP Address:** Specify a unique IP address for the unit.

**Subnet Mask:** Specify the mask for the subnet the panel is located on

**Gateway:** Specify the IP address of the default router (Gateway) used for connecting attached devices to different networks.

**Primary DNS:** Specify the IP address of the Primary DNS Server for your network.

**Secondary DNS:** Specify the IP address of the Secondary DNS Server for your network.

### Web Server:

#### CAUTION:

---

**Changing the web server port numbers may cause loss of communication with the panel**

---

The following ports may be changed within a range of 1 to 65565, if required.

**HTTP Port:** This port is used for HTTP traffic between the panel and your browser. The default HTTP port is **80**, and if you change this the new HTTP Port number must be appended to the URL used to access the panel. (e.g. use URL **http://192.168.0.180:8000** for IP address **192.168.0.180**, port **8000**)

**HTTPS Port:** The HTTPS (HTTP Secure) protocol uses encrypted data transfer between web browsers and servers for higher security. The default HTTPS port is **443**. Append any changed HTTPS port to the end of the URL for the panel.

To access the panel through a secure HTTPS connection, use **https://** at the start of the units URL. (e.g. **https://192.168.0.180:8888** for IP address **192.168.0.180**, HTTPS port **8888**)

### SNMP:

Configure these settings if you would like to use SNMP based monitoring. SNMP (Simple Network Management Protocol) is an industry standard protocol for network management software. Enabling the SNMP function on the panel will

allow standard SNMP management software to connect to the SNMP agent running on the panel and read real time system information such as bus voltage, and channel currents. The panel can send SNMP traps to the external management software when an alarm or fault occurs.

The information available from the SNMP agent is described in a MIB (Management Information Base) file, which can be downloaded from the panels **Help** page. The unique panel MIB file must then be imported into your external SNMP management software.

**Enable SNMP:** Check this box to enable the SNMP agent

**SNMP Version:** Sets the SNMP version (**v1/v2c**, **v3**, or **All**) supported by the panel SNMP agent. If **All** is selected, all SNMP versions will be supported simultaneously. The appropriate settings for the selected SNMP version will need to be configured.

**Enable SNMP Write Access:** Turning on this setting will allow you enable or disable DC power to individual outputs through SNMP. If this box is unchecked, all information available from the SNMP agent will be read-only.

**SNMP Contact Information:** Assign contact information, such as an operator name and phone number for the panel, which can be read via SNMP queries. (This information is optional)

### SNMPv1/v2c Settings:

**Read Community:** Enter the community string/password here for read-only SNMP access. The default read community string is “public”.

**Write Community:** Enter the community string/password here for read/write SNMP access. The default write community string is “write”.

It is recommended to change the community strings before enabling SNMP, as the defaults are well known.

### SNMPv3 Settings:

**User Name:** Enter the user name for SNMPv3 access.

**Authentication Protocol:** Select the SNMPv3 authentication protocol (**None**, **MD5**, or **SHA**).

**Authentication Password:** If an authentication protocol is selected, enter the authentication password.

**Privacy Protocol:** Select the SNMPv3 privacy protocol (**None**, or **AES**).

**Privacy Password:** If a privacy protocol is selected, enter the privacy password.

### SNMP Trap Settings:

**Trap Community:** Enter the community string/password that is sent with all traps. Some trap receivers are able to filter on trap community.

**Trap IP Addresses:** Enter the IP addresses for up to two devices that will receive SNMP traps from the panel.

## E-mail Setup

Configure these settings to enable automatic e-mail notifications directly from the panel. The information required for this is available from your Network Administrator, or Internet Service Provider. (ISP)

### E-mail:

**SMTP Server:** Enter the name or the IP address of your SMTP server used for sending outgoing e-mail. (e.g. "smtp.gmail.com")

**SMTP Port:** Enter the port used by your SMTP server. (Normally 25)

**SMTP Server requires SSL:** Check this box if your SMTP server requires an encrypted SSL connection.

**Sender E-mail Address:** Enter an e-mail address that will appear as the sender for all e-mail notifications sent from the panel.

**Recipient E-mail Addresses:** Enter one or more e-mail addresses that are to receive all e-mail notifications from the panel. Use commas to separate multiple addresses. This field can also be used to send a text message notification to a phone; see the **Text Message Alarm Notifications** section for further information.

**SMTP User Name:** Enter a SMTP user name here, if required by your SMTP server. Leave this field blank if the server does not require authentication.

**SMTP Password:** Enter a SMTP password here, if required by your SMTP server. Leave this field blank if the server does not require authentication.

**Minimum E-mail Interval:** Specify a minimum interval required between e-mail notifications. (Default 1 minute, range 0 to 60 minutes) This time interval is used to prevent an un-intended flood of e-mail alarm notifications that could occur when an alarm limit is incorrectly configured, for example.

### **General E-mail Notifications:**

Select these options to receive an e-mail when one or more of these events occurs.

**The Distribution Panel restarts:** Check this box to receive an e-mail notification when the panel restarts after a power failure or a soft reset.

**Load-Shedding is activated:** Check this box to receive an e-mail notification when any of the outputs are disabled or enabled due the voltage crossing one of the load-shed settings configured on the **Output Setup** page.

**The Network Watchdog triggers:** Check this box to receive an e-mail notification after the Network Watchdog triggers due to a loss of the network connection and the network has comes back online.

## **Alarm setup**

Use this page to configure the set points of alarms to be monitored, and set the required actions when an alarm is triggered. Click on the **Save Settings** button at the bottom of the page to save any changes.

### **Circuit Breaker Alarm:**

**Activate Alarm Form-C Contact:** Check this box to have the bus A alarm output trigger for any breaker on channel 1A to 4A opening, and have the bus B alarm output trigger for any breaker on channel 1B to 4B opening.

**Send E-mail:** Check this box to cause an e-mail notification to be sent when a breaker or fuse opens on any of the output channels, stating which channel is affected. Note that the e-mail settings must be fully configured on the **E-mail Setup** page for this to occur.

### **Remote Temperature Monitoring:**

Check the **Temperature Monitoring Enabled** box to use an optional remote temperature monitoring probe (ICT-TMP) to report a sensed temperature on the Status and Control page. Set temperature alarm limits to flag high or low temperature conditions as desired.

**Over-Temperature Alarm:** Select the desired over-temperature alarm threshold.

**Under-Temperature Alarm:** Select the desired under-temperature alarm threshold.

**Activate Alarm Form-C Contact:** Check this box to have either or both bus alarm relay outputs indicate a fault for a temperature alarm condition.

**Send E-mail:** Check this box to have an email notification sent when a temperature alarm is triggered. Note that the e-mail settings must be fully configured on the **E-mail Setup** page for this to occur.

### **Alarm Input #1 to #4:**

Configure the four Site Monitor inputs to enable the panel to monitor external contact closure events on door and window sensors, smoke alarms, etc.

**Alarm Name:** Enter a descriptive name for the external contact being monitored. This will be used in e-mail alarm messages.

**Contact Type:** Select if the external alarm contact input is to be used, and what contact type is connected to each input. Choose “Normally Open” contact, “Normally Closed” contact, or “Not Used”.

**Activate Alarm Form-C Contact:** Check this box to have either or both bus alarm relay outputs indicate a fault for an alarm condition on that input.

**Send E-mail:** Check this box to have an email notification sent when one of the enabled alarm inputs is triggered, stating which input was affected. Note that the e-mail settings must be fully configured on the **E-mail Setup** page for this to occur.

## **User Setup**

Use this page to configure passwords for limiting access to the panel settings. Click on the **Save Settings** button at the bottom of the page to save any password changes.

The unit has no password assigned by default, so an Administrator password should be assigned to your panel for improved security.

### **NOTE:**

---

Record your new password for future access! If the Administrator password is lost the unit must be reset to return the password to the blank default setting, causing loss of all other user settings. See the **Password Reset** section for more details.

---

**Select a User to Edit:** Choose which of the two user accounts to edit.

**Administrator** (user name: **admin**) This account has full access to the panel settings.

**Standard User** (user name: **user**) This account has read-only access to the panel, and cannot enable or disable the outputs, or change any of the panel settings.

**New Password:** Use these fields to change the password of the selected user.

**New Password:** Enter the new password for the chosen user.

**Confirm New Password:** Re-enter the new password to confirm the entry.

**Confirm Changes:** Enter the current **Administrator Password** to confirm the new password changes, prior to saving the settings.

## Maintenance

Use this page to reset the panel (soft reset), restore the panel default settings, or send a test e-mail to verify e-mail functionality.

**Reset Distribution Panel:** Clicking the **Reset** button will restart the panel. Channel output states will be restored according to the **Output State after Panel Reset** setting for each output on the **Output Setup** page. All other settings are maintained during the reset.

**Restore Factory Default Settings:** Clicking the Restore button will restore **ALL** settings to the original factory default values, including the user passwords. To only restore the network settings and passwords see the **Password Reset** section.

**Export and Import Settings:** The **Manage Settings** button will take you to the Export and Import Settings page, where you may export all the system settings (other than the Administrator password, Network and Web Server settings) to a **.cfg** file on a local computer. Use the **Import Settings** section on other panels to locate this file and then import it to any other panel you are logged in to, greatly simplifying the configuration of multiple identical units.

**Update Firmware:** Click this button to locate and install the latest version of the unit's operating firmware, while maintaining previous settings.

- Download the latest firmware version for your model unit from **ict-power.com**



- Extract the compressed **.cry** firmware file, and then select it for installation by clicking on the **Choose File** button on the **GUI Firmware Update** page
- Click the **Update Now** button to begin the update

The panel will restart automatically after the update process is complete. Do not disconnect power to the unit during the update!

**Send Test E-mail:** Click the **Send Test E-mail** button to send a test e-mail to the listed e-mail recipients using the e-mail settings on the **E-mail Setup** page.

**Ping Diagnostics Tool:** Use this feature to verify connectivity of any network connected device. Enter the hostname or IP address of the target device, and then click the **Ping** button.

## Mobile Web Interface

Use the mobile version of the **Status and Control** page to monitor and control the panel with a smartphone web browser.

Access the Mobile Web version of the GUI by entering the address of the panel in the address field of your browser, followed by **"/m"**. (e.g.

**https://192.168.0.180/m**) You will then be prompted for your user name and password, and logged into the following **Status and Control** screen:

For improved security you should normally use a HTTPS (secures) connection when assessing the panel over the Internet, or use a Virtual Private Network (VPN) connection.

ICT Dual Bus Panel	
Alarm Inputs:	
<b>Bus A:</b>	
<b>Voltage:</b> 12.7VDC	<b>Current:</b> 98.4A
<b>Output 1A</b> 24.2A	<b>Output 2A</b> 25.2A
<b>Output 3A</b> 25.4A	<b>Output 4A</b> 23.6A
<b>Bus B:</b>	
<b>Voltage:</b> 12.8VDC	<b>Current:</b> 97.9A
<b>Output 1B</b> 24.8A	<b>Output 2B</b> 25.1A
<b>Output 3B</b> 24.1A	<b>Output 4B</b> 24.0A

Mobile Web App

The Mobile Web App (shown above) provides information on bus voltage, bus current, input alarm status, and the status and current level of each of the bus output channels. Tapping on an output cell will enable or disable that output (when you are logged in using the Administrator account). The cell will be green when enabled, red when disabled.

## Password Reset

Reset the Administrator password, the network, and web server settings to the original factory default values by doing the following: (the standard User password and other settings are not affected)

1. Press and hold the recessed reset button on the front panel for approximately 20 seconds
2. Release the button (all outputs will be enabled after the reset)
3. Log in to the unit as user name **admin**, no password required. Set a new password as desired

## Router Configuration

Use this section to set up a Distribution Panel with remote Internet access when located behind a router.

A router allows multiple PC's to share a single Internet connection, and must be configured correctly to forward incoming remote data to the local IP address of your panel.

Example configuration using a Linksys WRT54G router: (others will be similar)

1. Log into your router and go to the port forwarding screen. In the example Linksys WRT54G router this is located in the Applications and Gaming tab. The location of the port forwarding fields may be different on your particular router. (consult the router manual for instructions)
2. Configure HTTP forwarding:
  - a. Enter a unique name in the **Application** field
  - b. Enter the HTTP port number that the panel is using in the **Start** and **End** fields. The default HTTP port for the panel is **80**.
  - c. Select **Both** under **Protocol** (TCP and UDP)
  - d. Enter the local IP address of the panel (e.g. 192.168.0.180) in the **IP address** field. (see step 2 of the **TCP/IP Web Based Utility** section to verify the panel IP address)
  - e. Check the **Enable** box, and then click on **Save Settings**

### **NOTE:**

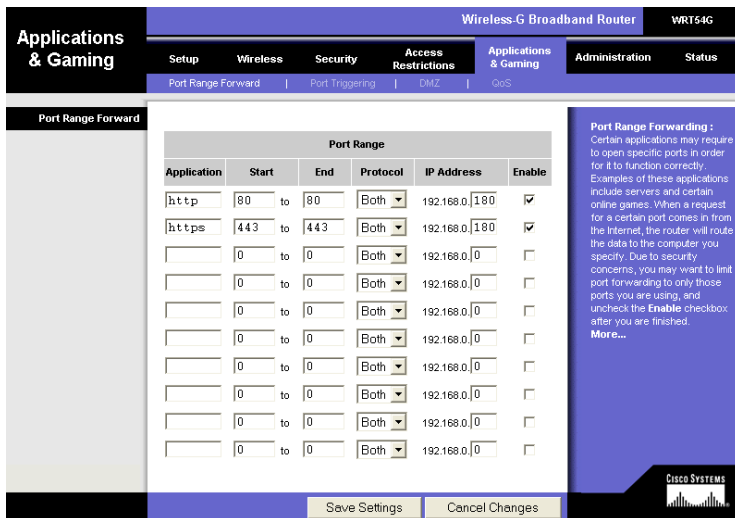
---

Many ISP's block access to port 80, so if your ISP does block this port you must change the HTTP port the panel uses from 80 to something else, such as 8000. (Valid port numbers are in the range of 1 to 65535) See the **Network Setup** section for information on assigning new network ports.

You must also change the panel's HTTP port from 80 if your local network has another device (such as a panel, or web server) already using port 80.

---

3. Configure HTTPS forwarding by repeating steps 2a to 2e with the HTTPS port number that the panel is using. The default HTTPS port number is **443**.



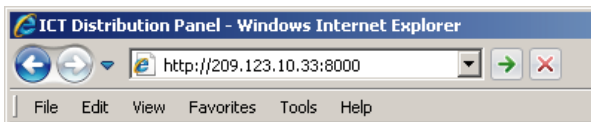
Typical Router Port Forwarding Screen

- Determine the WAN IP address of your router assigned by the ISP. With the example router this information is on the **Status** tab, listed as **IP Address**.

**NOTE:**

When using a dynamic IP address the router's WAN IP address may change from time to time without warning, depending on your ISP. In this case you should obtain a Static IP address from your ISP (it will not change) which will ensure more predictable access to the panel from a remote location. If a static IP address is not available you can use a Dynamic DNS service such as Dyn ([www.dyn.com](http://www.dyn.com)) to provide a stable address for the router.

- To access the panel over the internet type the WAN IP address of the router in the location/address field of your browser, followed by a colon and the HTTP port number the panel is using. (e.g. **http://209.123.10.33:8000** for a router address **209.123.10.33**, port **8000**)



Panel Access With Router Address

## Text Message Alarm Notifications

The panel can send alarm notifications as text messages to a cell phone by configuring the alarm e-mails to be sent to your mobile phone service provider. On the **E-mail Setup** page of the web based utility enter the address of your phone in the **Recipient E-mail Address** field.

Example with an AT&T phone: enter the recipient address **cellnumber@txt.att.net**, replacing **cellnumber** with your 10 digit cell phone number.

Cell address formats for some common North American mobile phone providers:

AT&T	<i>cellnumber@txt.att.net</i>
Verizon	<i>cellnumber@vtext.com</i>
Sprint	<i>cellnumber@messaging.sprintpcs.com</i>
T-Mobile	<i>cellnumber@tmomail.net</i>
Virgin Mobile	<i>cellnumber@vmobl.com</i>
Nextel	<i>cellnumber@messaging.nextel.com</i>
Bell Mobility	<i>cellnumber@txt.bell.ca</i>
Rogers	<i>cellnumber@pcs.rogers.com</i>
Telus	<i>cellnumber@msg.telus.com</i>
Virgin Mobile (Can)	<i>cellnumber@vmobile.ca</i>

## Troubleshooting

*I am unable to access the web-based configuration utility:*

- Check that you are using the correct IP address for the panel by downloading and running the **ICT IP Address Discovery tool** <http://www.ictcorporate.com/resources/tools/>
- Check the network cable connections to the panel and the network
- Ensure the network card settings on your computer are configured for accessing the IP address of the panel. To access a panel with the default IP address of 192.168.0.180 the typical network settings for your computer are:
  - IP Address: 192.168.0.180
  - Subnet Mask: 255.255.255.0
  - Gateway: 192.168.0.1

- If the HTTP port of the panel has been changed, you must append the new port number to the URL used to access the panel. (See the **Network Setup** section) See the **Password Reset** section for details on how to reset the port number to the factory default value.
- If your network switch allows you to manually configure port speed and duplex settings, turn-on “**Auto Negotiation**” for the switch port that the panel is connected to.

*I forgot my password:*

- See the Password Reset section of the manual

*I am not receiving e-mails from the panel:*

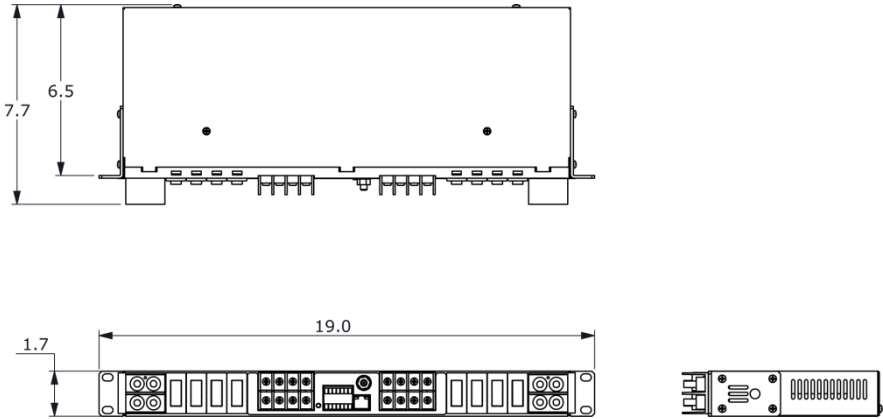
- Verify that the **Send-E-mail** checkboxes are ticked for any alarm conditions for which you wish to receive e-mail notifications.
- Verify your e-mail settings by going to the **Maintenance** page on the panel’s web GUI and clicking on the **Send Test E-mail** button, to send a test message to your designated recipient addresses. The **Send Test E-mail** page will show an error message if the panel is unable to send the e-mail.
- Check on the **E-mail Setup** page and ensure the **SMTP Server** field is the correct address for your e-mail provider, and the **SMTP Port** is correct. (Port should be 25 for most servers)
- If your SMTP server requires SSL encryption, ensure the **SMTP Server requires SSL** checkbox is ticked. Otherwise leave blank.
- If your SMTP server requires authentication ensure that the **SMTP User Name** and **SMTP Password** fields are correctly entered.

## Product Specifications

Operating Voltage (either bus):	10VDC to 60VDC, or -10VDC to -60VDC
Current Rating:	120A max, 100A continuous Bus A 120A max, 100A continuous Bus B 30A max, 25A Continuous per output (12/24V/48V)
Breaker Capacity:	25A continuous 65Vdc x 4 per bus
Meter Accuracy, Voltage:	Bus voltage readings +/-1%
Meter Accuracy, Current:	Channel current readings +/- 3%
Power Consumption:	4 W (all outputs disabled) 20W (all outputs enabled)
Alarm Form-C Contacts:	1 output per bus, 0.5A 65VDC max
Alarm Sensor Inputs:	Four external dry contact alarm inputs, configurable for NC or NO contacts. Applied voltage 3.3V, 0.4mA for contact closure detection
Ethernet:	10/100Base-T, RJ45 Connector, HTTP/HTTPS TLSv1
SNMP:	SNMP v1/v2c/v3 supported
Input Connector:	Dual ¼-20 thread studs 0.625" c-c (50 in-lbs. 5.6 N·m max)
Output Connector:	4 position x 2 row barrier terminal block, M4 screws (12in-lbs, 1.3N·m max)
Alarm Connectors:	Dual 7 terminal Removable plugs, cage clamp type 16 – 28 AWG, (1in-lb, 0.1N·m max)
Operating Temperature:	-20°C to +60°C (Derate max bus current by 2% per degree C above 50°C)
Cooling:	Fan cooled, temperature controlled fan speed
Weight:	7 lbs (3.2kg) (with circuit breakers installed)

Warranty: 2 years

Dimensions: 19.0" x 7.7" x 1.7"  
483mm x 196mm x 43mm



**EMC Note:** This equipment has been tested and found to comply with the limits for a Class B digital device, pursuant to part 15 of the FCC Rules and ICES 003. These limits are designed to provide reasonable protection against harmful interference in a residential installation. This equipment generates uses and can radiate radio frequency energy and, if not installed and used in accordance with the instructions, may cause harmful interference to radio communications. However, there is no guarantee that interference will not occur in a particular installation. If this equipment does cause harmful interference to radio or television reception, which can be determined by turning the equipment off and on, the user is encouraged to try to correct the interference by one or more of the following measures:

- Reorient or relocate the receiving antenna.
- Increase the separation between the equipment and receiver.
- Connect the equipment into an outlet on a circuit different from that to which the receiver is connected.
- Consult the dealer or an experienced RF technician for help.



## **ICT LIMITED WARRANTY**

ICT Limited Warranty is only intended for the benefit of the original Purchaser of this product. This Warranty is not transferable or assignable without the prior written permission of ICT. ICT's sole obligation and liability under this warranty is limited to either repairing or replacing defective products at the sole discretion of ICT. When repairing or replacing the products, ICT may use products or parts that are new, equivalent to new or re-conditioned. Parts repaired or replaced during the warranty period will be under warranty for the remainder of the warranty period.

The warranty period on ICT products purchased new from ICT is two years. The warranty period for a repaired product or part thereof is ninety (90) days or the remainder of the unexpired term of the new product warranty period, whichever is greater. Repair or replacement of a defective product or part does not extend the original warranty coverage period.

No claim will be accepted unless written notice of the claim is received by ICT in accordance with ICT's Return Material Authorization (RMA) procedure, as soon as reasonably possible after the defect is discovered. A valid product serial number must be provided with the RMA claim to prove eligibility. The RMA form is available on the ICT website at [www.ict-power.com/support/warranty-repair/](http://www.ict-power.com/support/warranty-repair/).

The Purchaser shall at their own risk and cost return the defective product to ICT's factory or designated repair center once an RMA is issued by ICT. Return of the products to the customer after repair is completed shall be prepaid by ICT unless otherwise mutually agreed between the parties. Products shipped to ICT which have incurred freight damage will not be covered by this Warranty and any repairs or replacement parts, components or products needed will be invoiced in the full current price amount and returned freight collect to Purchaser. It is the Purchaser's responsibility to check the product upon receipt for any damage during shipping and to contact the carrier or shipper regarding such damage. Product that is returned as defective, which is determined to operate within published specifications will be returned to the Purchaser freight collect.

Warranty commences on the date the product is shipped from the ICT manufacturing facility, or in the case of purchase through an authorized ICT reseller, not more than ninety (90) days after original shipment of this product by ICT.

ICT assigns to Purchaser any warranties which are made by manufacturers and suppliers of components of, or accessories for, the ICT product and which are assignable. ICT makes no representations as to the effectiveness or extent of such warranties, assumes no responsibility for any matters which may be

warranted by such manufacturers or suppliers and extends no additional coverage under this Warranty to such components or accessories.

In no event shall ICT be liable for any special, indirect or consequential damages such as, but not limited to, loss of use, business or goodwill, loss of revenue, or loss of profits, which may result, either directly or indirectly, from defects in products provided by ICT.

This Warranty will be void if the product has been subjected to misuse, neglect, accident, exposure to environmental conditions not conforming to the products' limits of operation, improper installation or maintenance, improper use of an electrical source, defects caused by sharp items or by impact pressure, a force majeure event, has been modified or repaired by anyone other than ICT or its authorized representative, has been subjected to unreasonable physical, thermal or electrical stress, improper maintenance, or causes external to the unit including but not limited to general environmental conditions such as rust, corrosive atmospheres, sustained temperatures outside the specified operating range of the equipment, exposure to power surges and/or electrical surges, improper grounding, mould or dust, animal or insect damage, water damage or immersion in liquid of any kind, or if the serial number has been altered, defaced, or removed.

ICT does not control the installation and use of any ICT product. Accordingly, it is understood this does not constitute a warranty of performance or a warranty of fitness for a particular purpose.

This Warranty represents the entire agreement between ICT and Purchaser with respect to the subject matter herein and supersedes all prior verbal or written communications, representations, understandings or agreements relating to this subject.

**INNOVATIVE CIRCUIT TECHNOLOGY LTD.**

26921 Gloucester Way

Langley, British Columbia, Canada V4W 3Y3

T 604.856.6303 F 604.856.6365 [www.ict-power.com](http://www.ict-power.com)